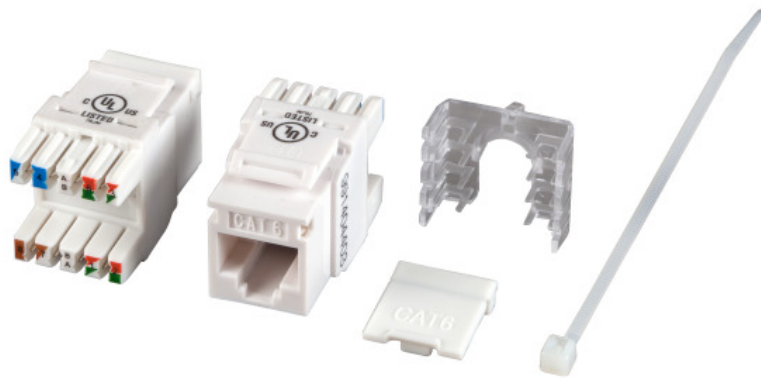
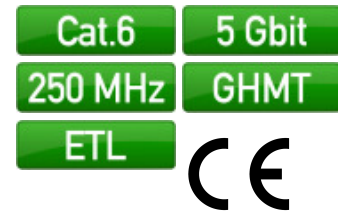


DATASHEET

ECOLAN® RJ45 Keystone UTP, Cat.6, 250MHz, Set 12 pieces



ECOLAN®



Description

Specifications:

Plastic housing PC+ABS for AWG26/1 .. AWG22/1
 Cat.6 component certified acc. to ANSI/TIA-568-C.2 and ISO/IEC 11801
 Appropriate for distribution panels and frames with keystone slots
 LSA terminal with colour code according to TIA/EIA 568A/B
 Fixing aid (39908.1) and LSA insertion tool (39951.1) or EHT-040 recommended

Scope of delivery:

12 polybags each with: 1 x RJ45 keystone, 1 x dust cover, 1 x cable tie, 1 x mounting instruction

General data

Category	6
Model	jack (jack)
Connection type	LSA
Type of connector	RJ45 8(8)
Screened	No
AWG-range for solid core	26 - 22
Special tool necessary	True
Suitable for round cable	True
Suitable for flat cable	False
Suitable for litz wire conductor	False

This datasheet was created automatically on 24-11-2020 . Technical changes reserved.



DATASHEET

ECOLAN® RJ45 Keystone UTP, Cat.6, 250MHz, Set 12 pieces

General data

Suitable for solid core	True
Housing material	Plastic
Dust cover	yes
Complaint to UL94	V-0
For UAE suitable	No

Mechanical characteristics

Max. cable diameter	8.5 mm
Mating cycles	≥ 750
Contact coating	50 µ"

Environmental conditions

Temperature range	-40 – 66 °C
-------------------	-------------

Electrical characteristics

Dielectric Withstanding Voltage	1000 V AC 60Hz
Current Rating	2 A
Insulation Resistance	≥ 500 MΩ
Contact Resistance	≤ 20 mΩ
4PPOE certified	yes

Standards, approvals, certifications

UL certified	yes
--------------	-----

Available variants

Article no.	Title	Colour
11201166	ECOLAN® RJ45 Keystone UTP, Cat.6, 250MHz, Set 12 pieces, white	white

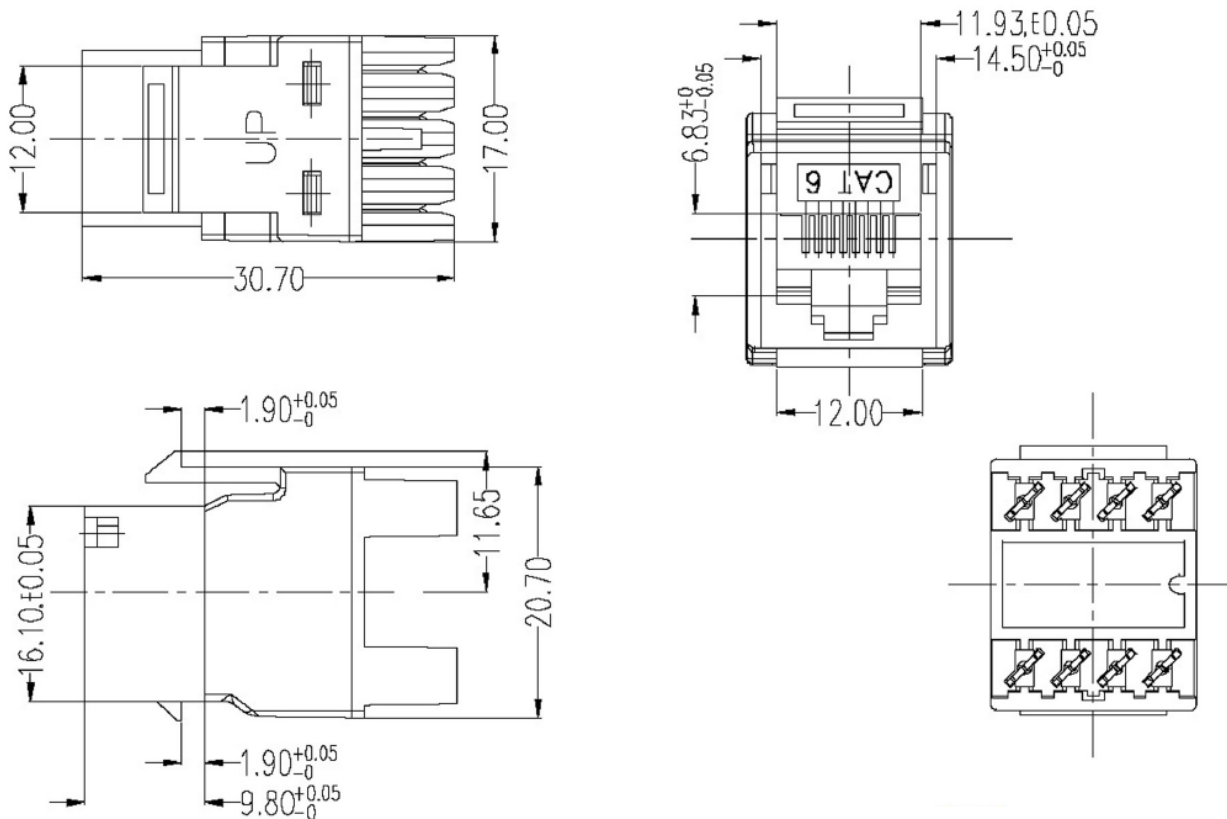
This datasheet was created automatically on 24-11-2020 . Technical changes reserved.



DATASHEET

ECOLAN® RJ45 Keystone UTP, Cat.6, 250MHz, Set 12 pieces

Technical drawings



accessory

39931.1 | LSA/IDC Insertion Tool for UTP Keystone

This datasheet was created automatically on 24-11-2020 . Technical changes reserved.

